



INSTALLATION, OPERATION AND MAINTENANCE INSTRUCTIONS

LEHF1 LED HAZARDOUS LOCATION LIGHTING FIXTURES

**Class I Div. 2 (Grps A,B,C,D) / Class II Div. 1 (Grps E,F,G)
Class II Div. 2 (Grps F,G) / Class III**

General Safety Information

To reduce the risk of death, personal injury or property damage from fire, electric shock, falling parts, cut/abrasions and other hazards, read all warnings and instructions included with and on the luminaire box and all luminaire labels.

Before installing, servicing or performing routine maintenance on this luminaire, follow these general precautions.

- Commercial installation, service and maintenance of luminaires should be performed by a qualified licensed electrician.
- DO NOT INSTALL DAMAGED PRODUCT!
- This luminaire is intended to be connected to a properly installed and grounded UL listed junction box.
- Ensure the supply voltage is the same as the luminaire voltage.
- Do not install in a location where the marked operating temperatures exceed the ignition temperatures of the hazardous atmosphere.
- Do not operate in ambient temperatures above those indicated on the luminaire nameplate.
All gasket seals must be clean and undamaged.

WARNING! RISK OF ELECTRICAL SHOCK

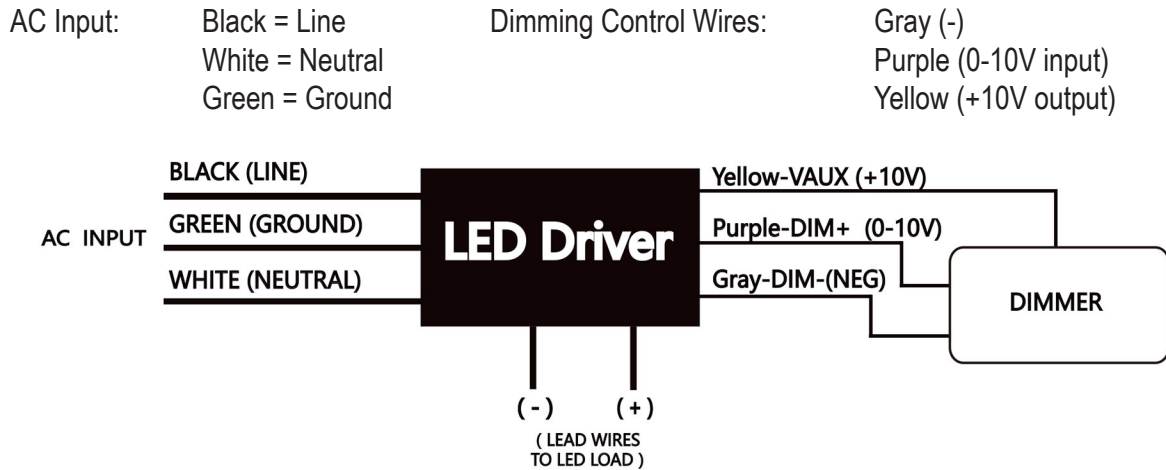
- Turn off electrical power at fuse or circuit breaker box before wiring luminaire to the power supply.
- Turn off the power when any maintenance is performed.
- Verify that the supply voltage is the same as noted on the luminaire label
- All electrical and grounded connections must be in accordance with the National Electrical Code and any applicable local code and Hazardous location requirements.
- All wiring connections must be capped with UL approved wire connectors.
- Luminaire must be supplied by a wiring system with a equipment grounding conductor.

CAUTION! RISK OF INJURY AND FIRE

- Wear gloves and safety glasses at all times when removing luminaire from carton, installing, servicing or performing maintenance.
- Avoid direct eye exposure to the light source when luminaire is turned on.
- Account for small parts and pieces of packing material as these may be hazardous to children.
- Keep combustible and flammable materials away from luminaire.
- Minimum 194°F (90°C) Supply Conductors

General Wiring Diagram

Caution! Turn off electrical power at fuse or circuit breaker box before wiring luminaire to the power supply. All luminaires must be individually connected to the AC power supply.



Installation

Notes:

The minimum length of all integral luminaire field wiring leads provided is 18in. (457mm) extended outside of the field wiring conduit opening for all mounting options. The luminaire is considered a fully sealed, non-serviceable product. All wiring connections are to be made outside of the luminaire's primary housing.

Refer to diagrams for mounting instructions based on the mounting option/accessory ordered.

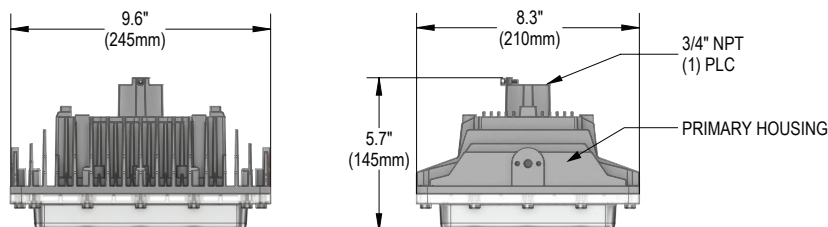
Branch circuit and dimming wires must be separated and installed in different wiring compartments.

Electrical Connection:

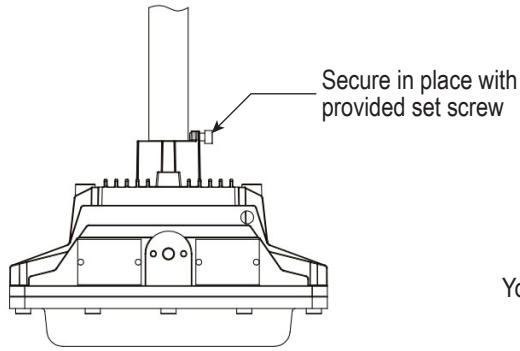
1. Introduce the wires of branch circuit as following:
 - Black wire to Line
 - White wire to Neutral
 - Green wire to Ground

Mechanical Connection:

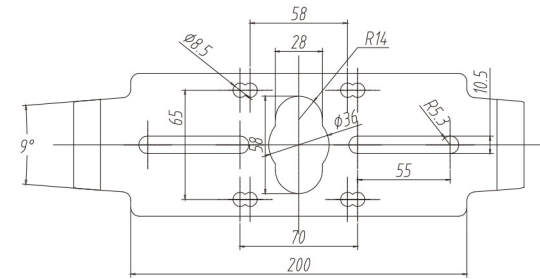
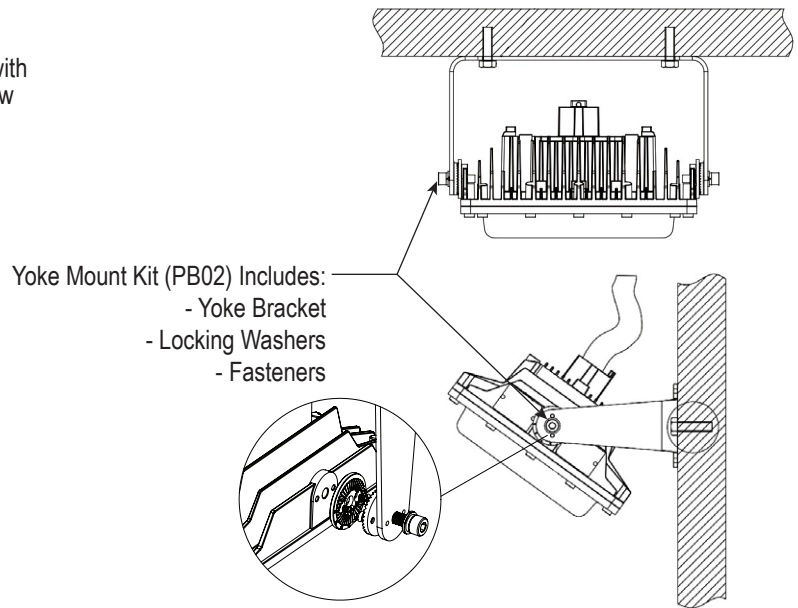
1. The thread to the luminaire's primary housing is 3/4" NPT. Attach primary housing to conduit suitable for the environment.



Pendant Mount

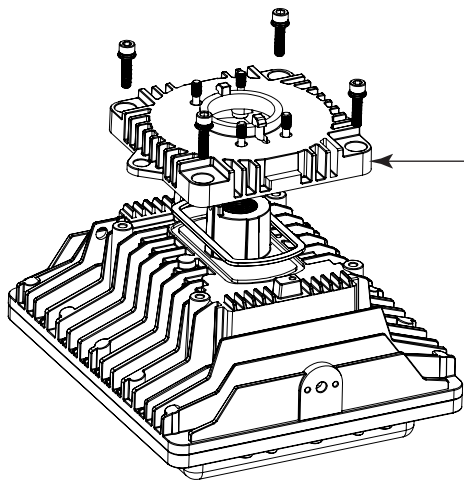


Yoke Mount (PB02)



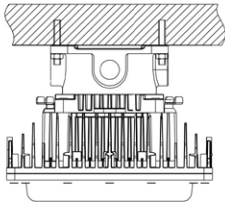
Wall & Stanchion Mounts

Wall and Stanchion Mounts require Adapter Kit (PN AD01) to be installed in addition to the mounting accessory.

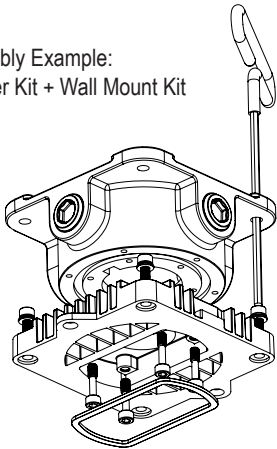


Adapter Kit (AD01) Includes:
- Adapter Plate
- Fasteners
- Seal

Ceiling Mount (JB01)

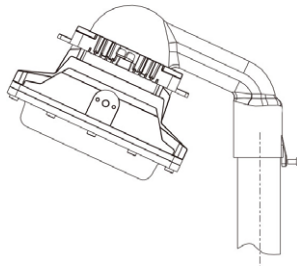


Assembly Example:
Adapter Kit + Wall Mount Kit



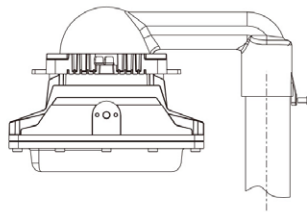
Stanchion Mount (25°)

(SN2501 1-1/4" NPT)
(SN2502 1-1/2" NPT)

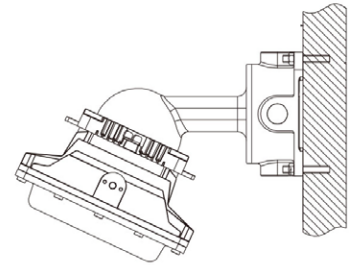


Stanchion Mount (90°)

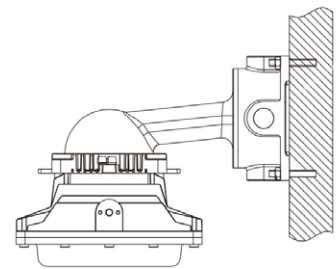
(SN9001 1-1/4" NPT)
(SN9002 1-1/2" NPT)



Wall Mount (WL25)



Wall Mount (WL90)



Servicing

- To avoid personal injury, disconnect power to the fixture and allow it to cool down before performing maintenance.
- Perform visual, electrical, and mechanical inspections on a regular basis. The environment and frequency of use should determine this. However, it is recommended that checks should be made at least once a year.
- The external glass should be cleaned periodically to ensure continued performance. Clean the glass with a clean, damp, non-abrasive, lint-free cloth. If this is not sufficient, use a mild soap or a liquid cleaner. Do not use an abrasive, strong alkaline, or acid cleaner as damage may occur.
- Inspect the cooling fins on the fixture to ensure that they are free of any contamination (i.e. excessive dust build-up). Clean with a non-abrasive cloth if needed. Mechanically check to make sure all parts are properly assembled.
- Electrically check to make sure that all connections are clean and tight.

Troubleshooting / Customer Service

Please contact customer service for troubleshooting tips or with questions about installation or service.

customerservice@ldpi-inc.com

or

1-800-854-0021