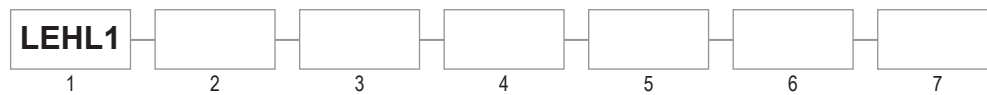


The LEHL1 is designed and listed for hazardous, marine, and wet locations. This product is ideal for replacing High Pressure Sodium (HPS) and Metal Halide (MH) fixtures for increased energy savings and maintenance.



1 SERIES	2 SOURCE	3 VOLTAGE	4 CCT	5 OPTICS / BEAM	6 LENS	7 MOUNT
LEHL1	L1: 45W (V1 only) L2: 65W (V1 only) L3: 40W (V2 only) L4: 60W (V2 only)	V1: 120-277VAC (50/60Hz) V2: 347-480VAC (50/60Hz)	3: 3,000K 4: 4,000K 5: 5,000K	V110: 110° TYPE V V130*: 130° TYPE V *Globe only	C: Clear D: Diffused G: Globe* *V130 Beam	P: Pendant 3/4", w/ Yoke Bracket * U: Universal ** * Yoke Bracket pre-installed ** Ceiling, Stanchion, Wall mounts ordered separately

CERTIFICATIONS

UL844 / CSA-C22.2 No.137 (Hazardous)
 CI D2, Grps A,B,C,D
 CII D1, Grps E,F,G
 CII D2, Grps F,G
 CIII
 Simultaneous Presence
 T-Codes: CID2=T4A / CID1=T5 / CID2=T5
 UL1598 / CSA-C22.2 No.250 (Wet/Damp)
 UL1598A (Marine Outside)
 DLC (inquire for specific part numbers)
 Lumen Maintenance (L70) >54,000 hrs. (reported)
 CRI >70
 -40°C to 55°C Ambient (L1-L3)
 -40°C to 52°C Ambient (L4)
 RH Ambient Humidity 5% to 95%
 NEMA 3 and NEMA 4X
 IP66
 FCC

CONSTRUCTION

Copper-free cast aluminum housing
 Flat Lens: Tempered Glass
 Globe Lens: Prismatic Tempered Glass
 Powder coat gray
 All exposed fasteners are stainless steel (SS316)
 Single 3/4" NPT Hub
 Weight: 11 lbs.

ELECTRICAL

120-277 / 347-480VAC
 10Kv surge protector built in - Standard
 3Ft 3-Wire whip standard, factory installed

FEATURES

High lumen output up to 150 Lm/W
 5G Vibration Rating
 Thermal shock and impact resistant lens
 Mounting: Wall (Flood), Stanchion, Ceiling and Pendant
 5 Year Warranty

PERFORMANCE

Source	Voltage (VAC) 50/60Hz	Input Current (A)	Wattage (W)	CCT	Lumen Output* (Lm)		
					Clear Lens	Diffused Lens	Globe Lens
L1	120-277	.38 - .16	45	3,000K	6480	5450	5520
				4,000K	6375	5380	5960
				5,000K	6750	5750	5760
L2	120-277	.54 - .23	65	3,000K	9800	8250	8200
				4,000K	9675	8260	8940
				5,000K	10150	8650	8960
L3	347-480	.12 - .08	40	3,000K	5750	4950	4790
				4,000K	6220	5350	5170
				5,000K	6150	5250	5100
L4	347-480	.17 - .13	60	3,000K	9150	7800	7550
				4,000K	9990	8530	8330
				5,000K	10050	8540	8300

* Nominal values



Clear Lens



Diffused Lens

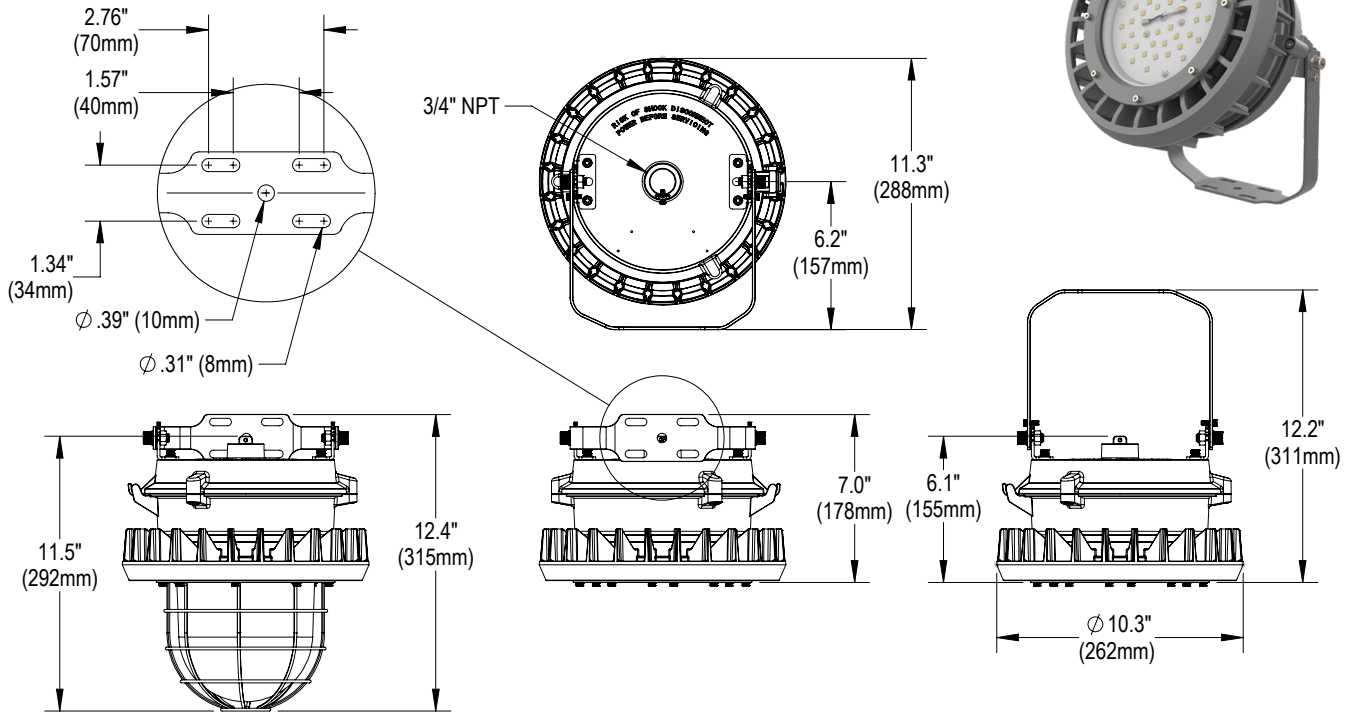
LEHL1

HAZARDOUS LOCATION

Chemical Processing • Industrial • Oil / Gas • Shipyards / Marine • Water Treatment



DIMENSIONS - (PENDENT / YOKE BRACKET)



ACCESSORIES - (Field Installed, Order Separately)		
Part Number	Description	
WG02	Stainless steel wire guard (flat lens) (SS304)	
WG03	Stainless steel wire guard (globe lens) (SS304)	

UNIVERSAL MOUNTING ACCESSORIES (Field Installed, Order Separately)		
Part Number	Description	
JB01	Ceiling/Junction Box: 3/4" NPT x 4 Gray Painted A356 Aluminum AL	
SN9001	Stanchion Mount - 90°: 1 1/4" NPT Gray Painted A356 Aluminum AL	
SN2501	Stanchion Mount - 25°: 1 1/4" NPT Gray Painted A356 Aluminum AL	
SN9002	Stanchion Mount - 90°: 1 1/2" NPT Gray Painted A356 Aluminum AL	
SN2502	Stanchion Mount - 25°: 1 1/2" NPT Gray Painted A356 Aluminum AL	
WL90	Wall Mount - 90°: 3/4" NPT Gray Painted A356 Aluminum AL	
WL25	Wall Mount - 25°: 3/4" NPT Gray Painted A356 Aluminum AL	



Shown with Globe Lens (G) option & Wire Guard (WG03)



LEHL1

HAZARDOUS LOCATION

Chemical Processing • Industrial • Oil / Gas • Shipyards / Marine • Water Treatment

DIMENSIONS - (UNIVERSAL MOUNT / Accessories Field Installed, Order Separately)

Part Number	Flat Lens	Globe Lens	Junction Box
CEILING MOUNT #JB01			
WALL MOUNT (90°) #WL90			<p>Universal Mount WL90 & WG02 accessories</p> <p>Universal Mount with Globe Lens WL90 & WG03 accessories</p>
WALL MOUNT (25°) #WL25			
STANCHION MOUNT (90°) #SN9001 (1-1/4" NPT) #SN9002 (1-1/2" NPT)			
STANCHION MOUNT (25°) #SN2501 (1-1/4" NPT) #SN2502 (1-1/2" NPT)			