



# INSTALLATION, OPERATION AND MAINTENANCE INSTRUCTIONS

## LEINS2 SERIES LED LIGHTING FIXTURES

### IMPORTANT SAFEGUARDS READ AND FOLLOW ALL SAFETY INSTRUCTIONS BEFORE INSTALLING THIS FIXTURE

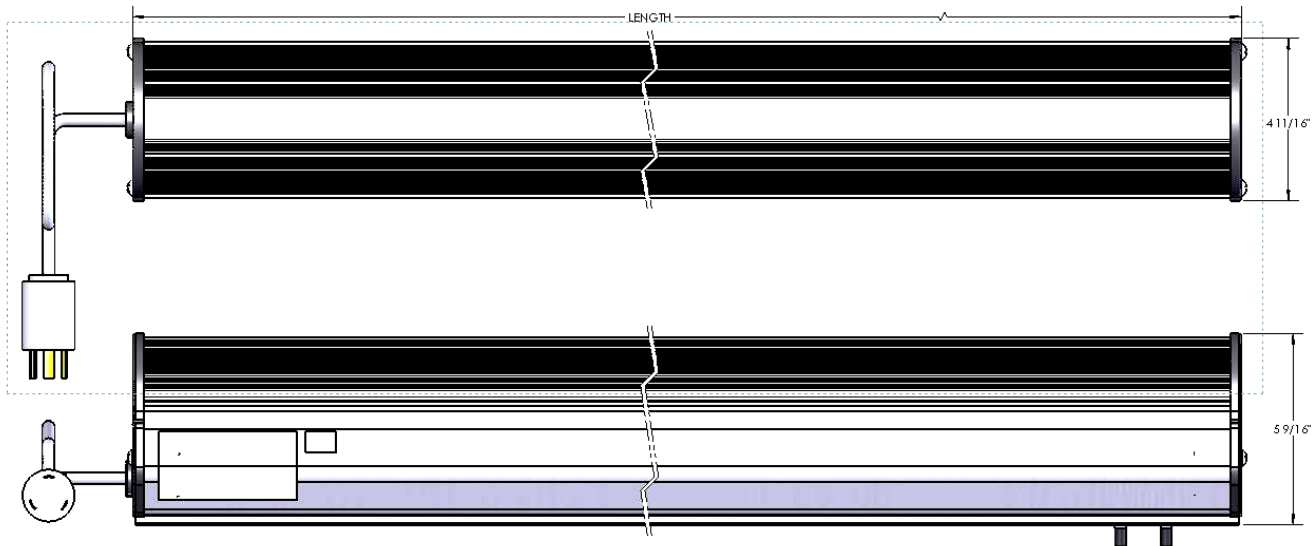
- This fixture should be installed by qualified technicians in strict accordance with the National Electrical Code and any local requirements.
- To maximize longevity of the fixture, do not mount near heat sources.
- The use of accessory equipment not recommended by the manufacturer may cause an unsafe condition and/or void warranty.
- This fixture is designed for general lighting purposes. Do not use fixture for other than intended use.

### SAVE THESE INSTRUCTIONS

### INSTALLATION NOTES

1. To prevent the risk of electrical shock, deactivate/disconnect the power supply before installing or servicing this fixture.
2. Before installing, check the fixture label to ensure correct voltage and frequency.
3. Refer to the following pages for typical fixture mounting. Mounting hardware is not supplied.

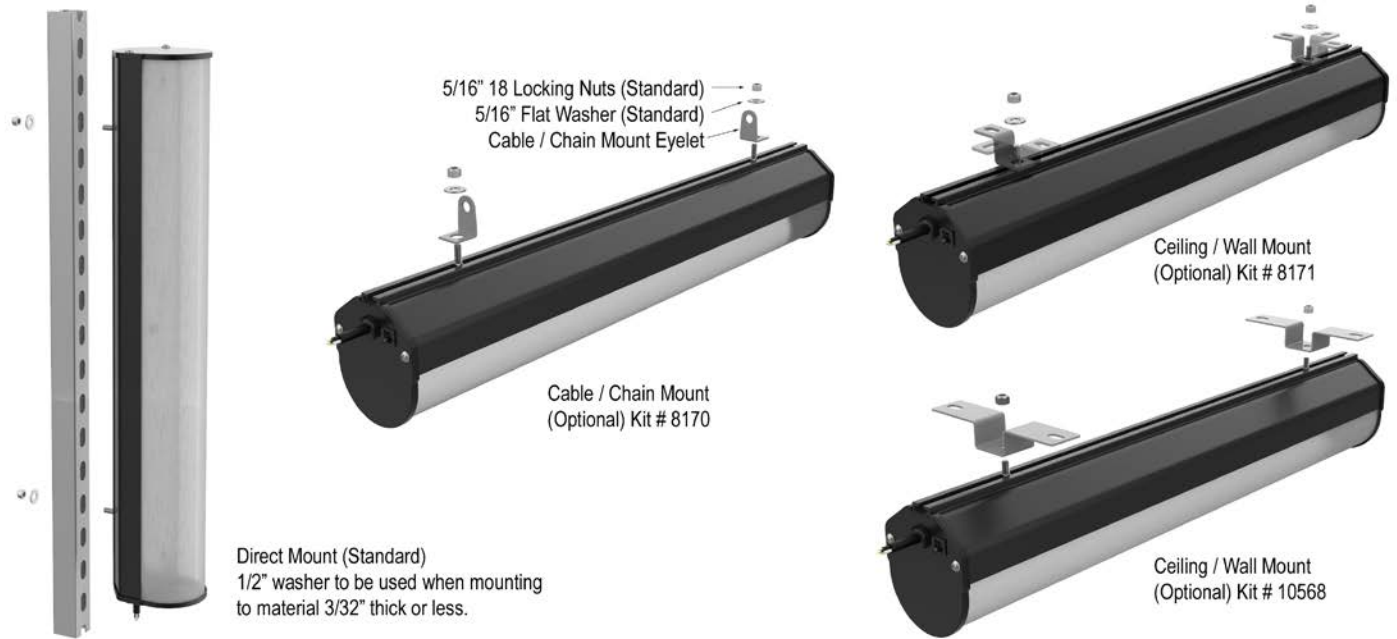
### LEINS2 SERIES DIMENSIONS



Length of Fixture

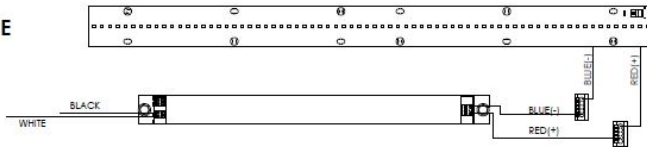
	2ft	4 ft	6 ft	8 ft
Length	23 1/2"	45 1/2"	67 1/2"	89 1/2"

## TYPICAL MOUNTING

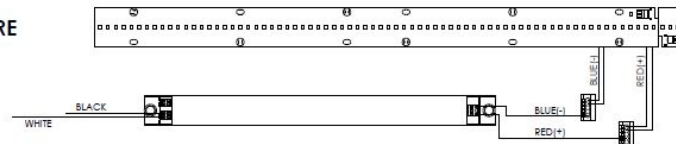


## TYPICAL WIRING

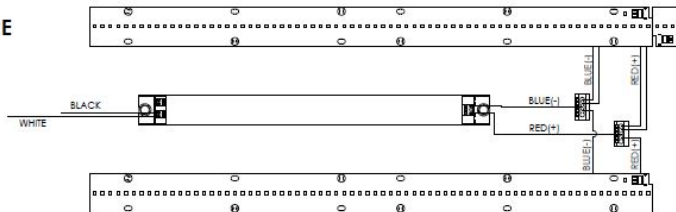
2' FIXTURE



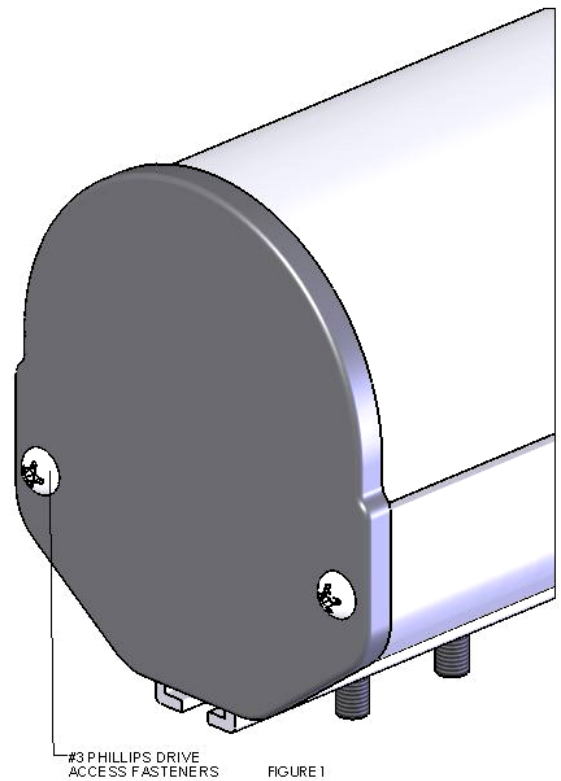
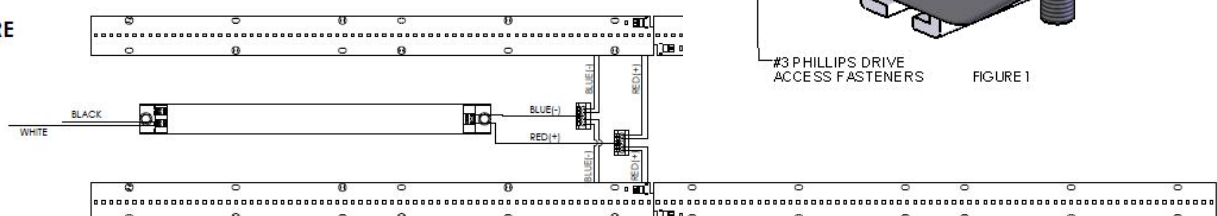
4' FIXTURE



6' FIXTURE

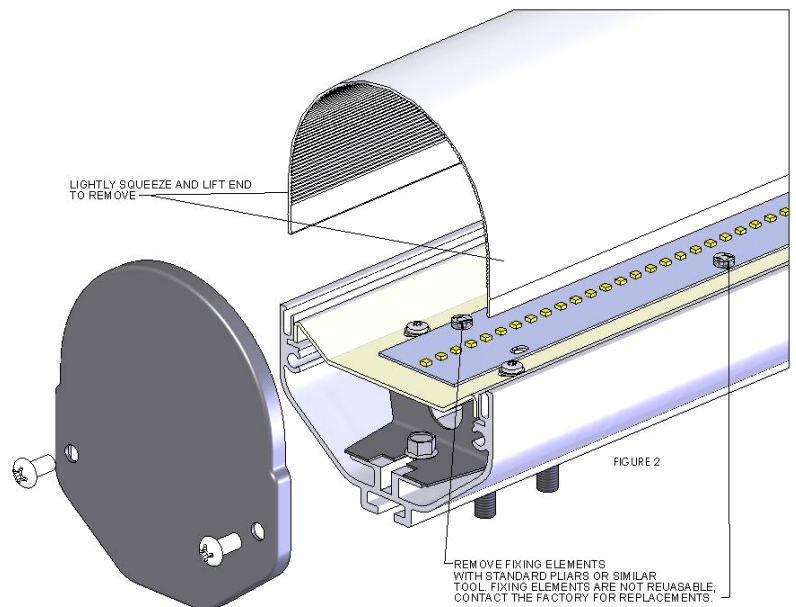


8' FIXTURE



## LED Module Access/Replacement:

1. Deactivate/disconnect the power supply from the supply circuit.
2. Remove the access fasteners as shown in figure 1. (It may be necessary to remove both ends to ease re-assembly).
3. Remove the lens: Squeeze the end of the lens between your thumb and middle finger and gently pull the end of the lens from the housing.
4. Remove the LED module. Using a fine tipped instrument, press the wire release tabs shown in figure 3. and remove the wires.
5. Remove the led module fixing elements as shown in figure 2. The fixing elements may not be reusable. Contact the factory for replacements.
6. Replace the LED board . (To prevent damage from electrical static discharge, it is highly recommended that the technician and work area be properly grounded). Place the new LED board in the same location and orientation as the previous board and secure in place with new fixing elements. Press the fixing elements into place with your thumb or blunt instrument.
7. Reattach the red and blue wires removed from step 4. Red to (+), blue to (-).
8. Reattach the lens: Line the end of the lens up to the end of the housing. Using both hands, apply even pressure to both sides of the lens until it snaps into place. Continue to work down the lens in the same manner until the entire lens is securely fastened.
9. Reattach the access fasteners and end plate(s) removed from step 2.
10. Connect the fixture to the power supply.

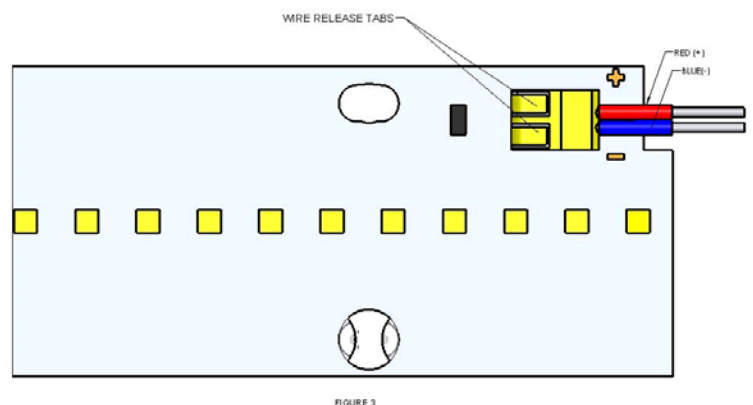


## MAINTENANCE DATA

Although no routine maintenance is required to keep this fixture functional, it should be checked periodically to ensure that it is functioning properly, and to inspect for external damage.

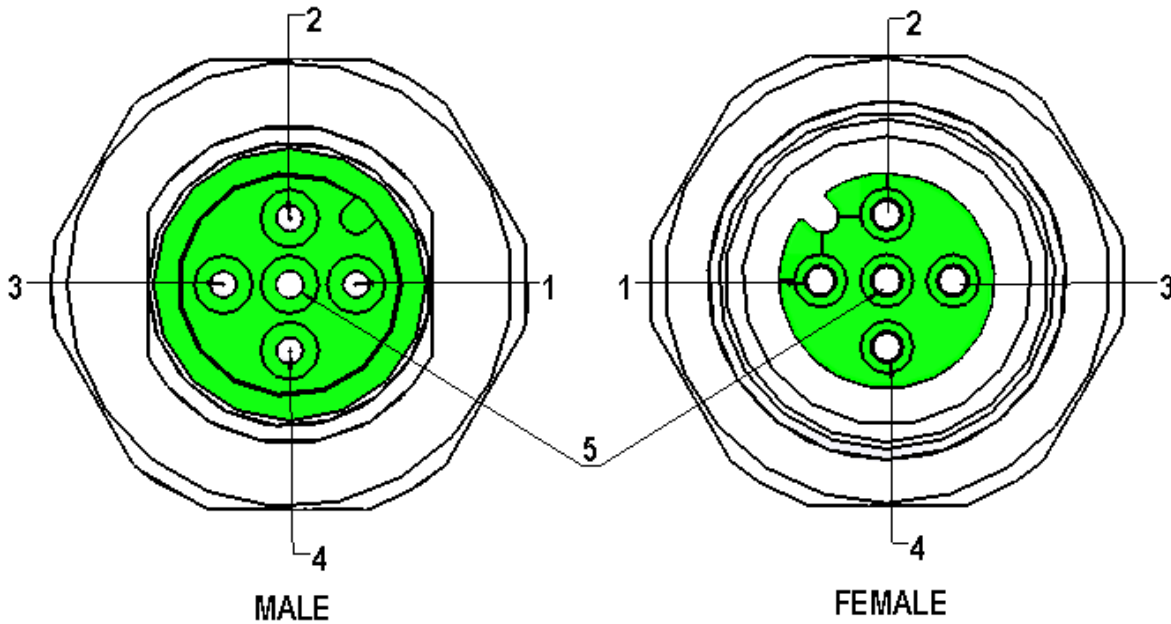
For optimal performance and longevity, keep the light transmission lens clean. Refer to the following guide for recommended cleaning methods.

- Acrylic care: Rinse the lens with warm water and clean with a mild soap solution or commercially available plastic cleaner and a lint free cloth; rinse well. Avoid cleaners that contain ammonia or alcohol. To remove grease, oil and graffiti, use Hexane or kerosene followed by the above soap solution sequence. Avoid cleaning the lens in direct sunlight.



## M12 Dimming Connector Detail

## For use with 0-10V and DALI dimming systems



### Pinout Detail:

- 1) Brown Dimming (+)
- 2) White - Manufacturers Use Only
- 3) Blue Dimming (-)
- 4) Black - Manufacturers Use Only
- 5) Grey - Drain Wire

### 0-10v Dimmer and Driver Specifications:

Max. dimming source current from driver: 200 $\mu$ A

Max. output on dimming wires from driver: 12V

Controller must sink current from the 0-10v control leads.

\*Please contact manufacturer for controls compatibility.